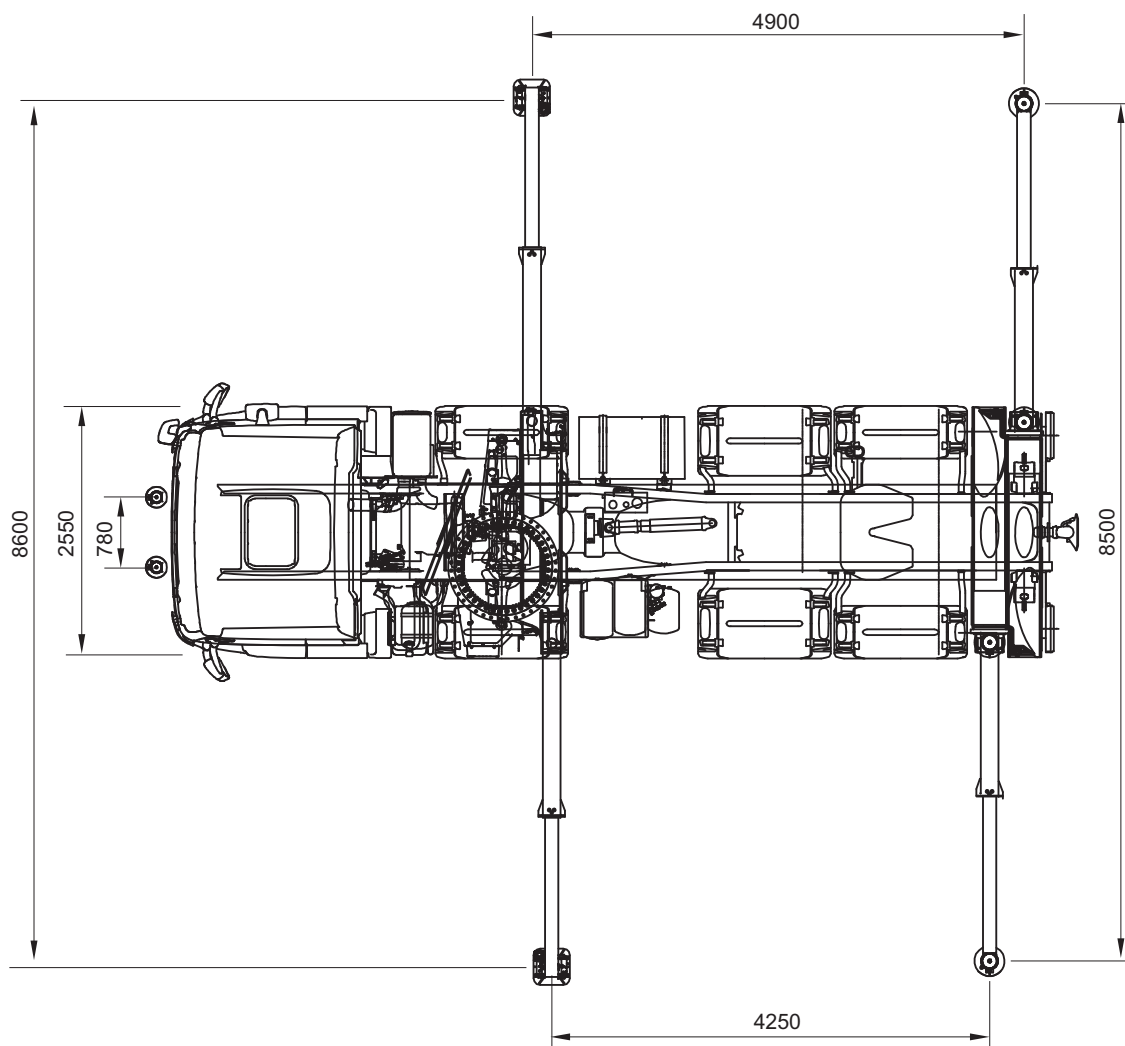
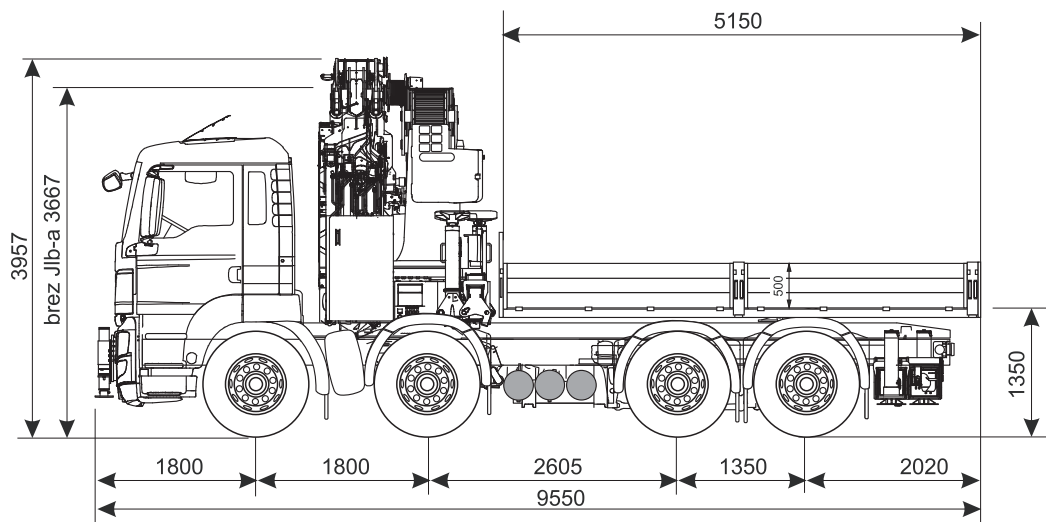
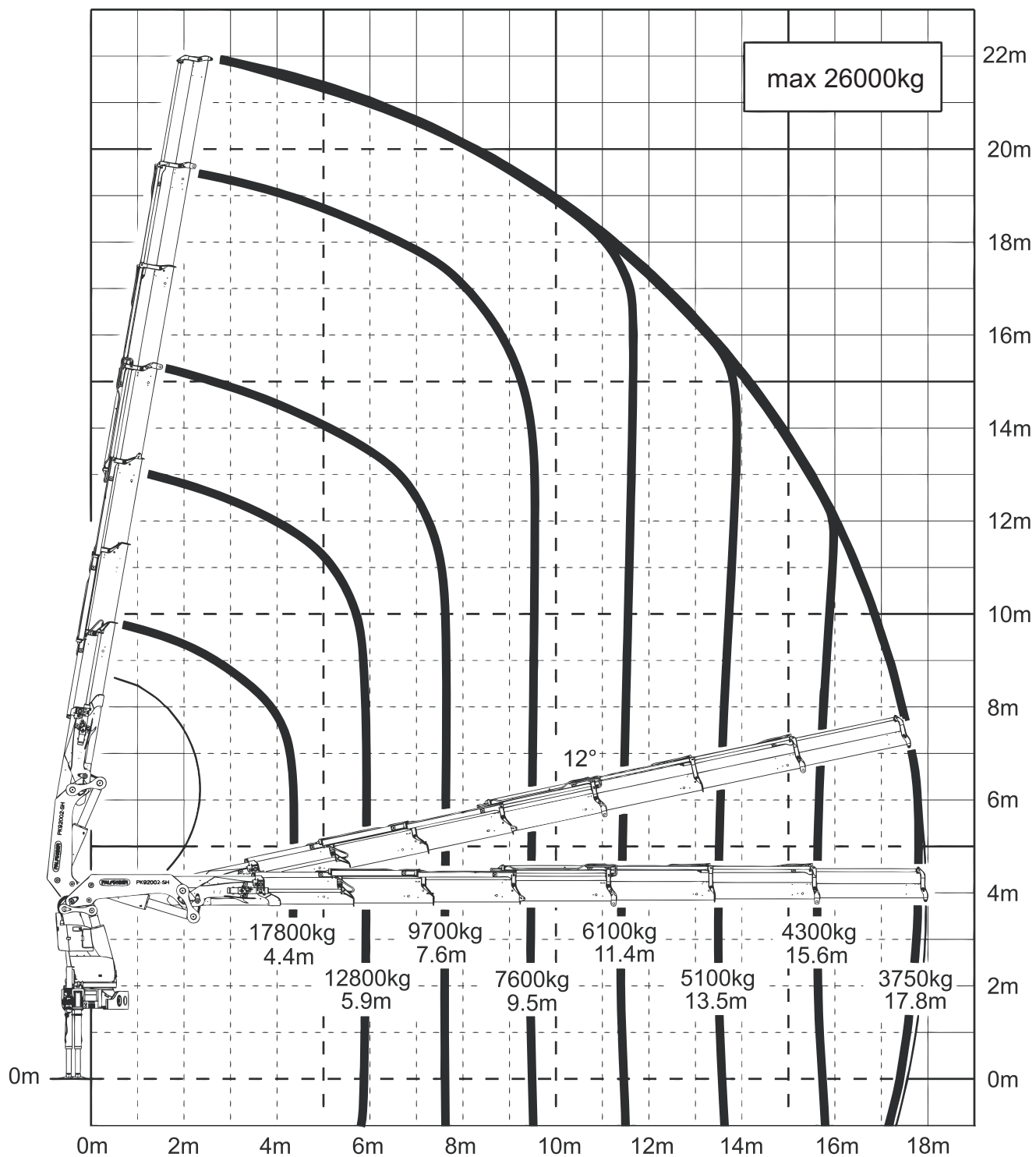


MAN TGS 35.440 - PALFINGER PK 92002-F



PALFINGER PK 92002-SH-F

max nosilnost 26000 kg



PALFINGER PK 92002-SH F + PJ 170 E

max nosilnost 6500 kg

